

PRODUCT CODE: LP4G
LOOP IN BOX



DESCRIPTION

Four Hole Knockout Loop In Box

FINISH

BZP

MATERIAL

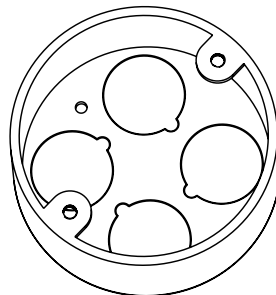
Mild Steel

PACKAGING

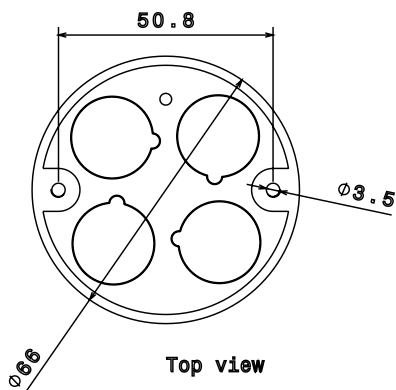
Packed in qty 10

ADDITIONAL NOTES

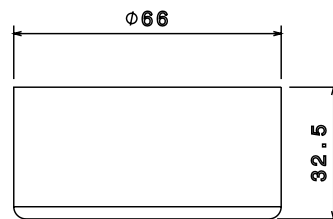
Conforms to BS EN61386-1
Contains 4 x 20mm knockout loopin holes



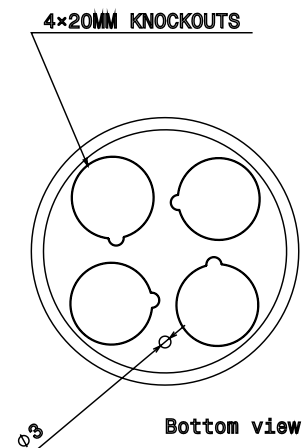
Isometric view



Top view



Side view



Bottom view